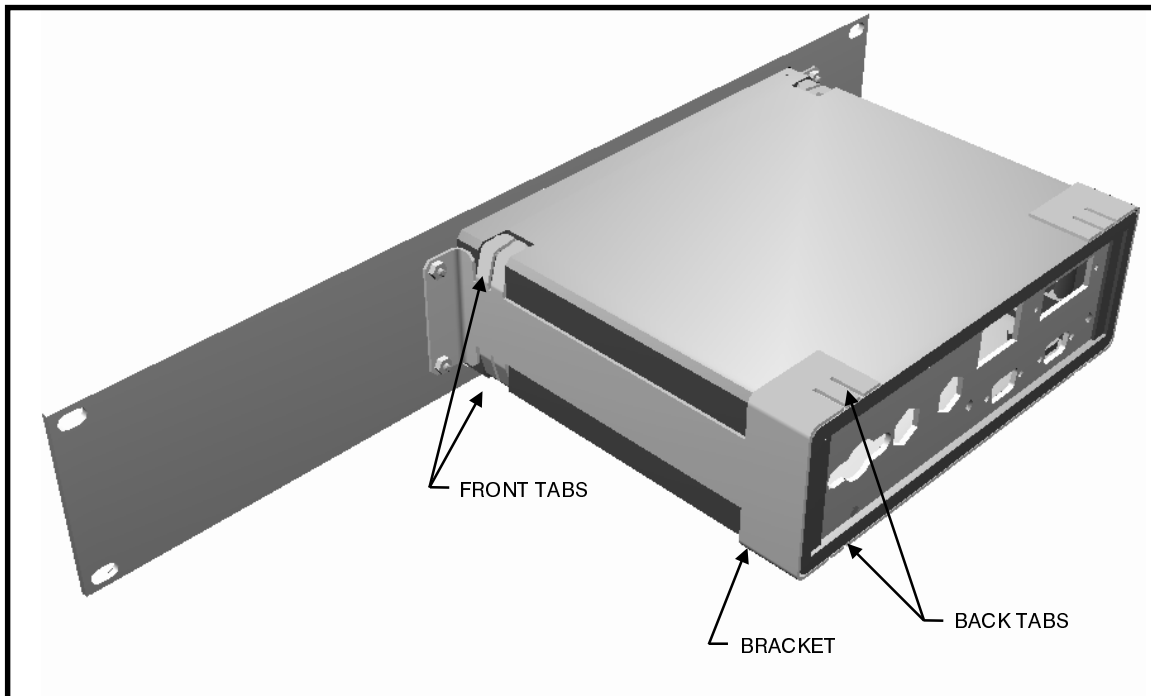


PARTS INCLUDED IN RPM3 RACK MOUNT KIT

- 1 ea. 122826 RPM3 Rack Mount Panel
- 1 ea. 122827 RPM3 Rack Mount Bracket
- 4 ea. 100972-Z M4 Hex SS Nut
- 4 ea. 102668-Z M4 Split Lock SS Washer
- 1 ea. 560022 RPM3 Rack Mount Kit Instruction Sheet



GENERAL INSTALLATION

- ➊ Remove screw caps from the top of the RPM3 and remove the feet from the bottom.
- ➋ Pull the sides of the bracket apart and slide the RPM3 into the bracket until the back is flush with the back of the bracket.
- ➌ Bend the four tabs near the front of the bracket into the RPM3 screw slots.
- ➍ Secure the bracket to the front panel with the lock washers and nuts provided.

RPM3 is a trademark, registered and otherwise, of DH Instruments, Inc.